

# SCXI-1302 50-PIN TERMINAL BLOCK

This guide describes how to install and use the SCXI-1302 50-pin terminal block with the SCXI-1180 feedthrough panel.

## Introduction

---

The SCXI-1302 50-pin terminal block is a shielded board with screw terminals that connect to the SCXI-1180 feedthrough panel. The terminal block has 50 labeled screw terminals for easy signal connections.

## What You Need to Get Started

---

To set up and use your SCXI-1302 terminal block, you will need the following items:

- SCXI-1302 50-pin terminal block
- SCXI-1302 50-Pin Terminal Block Installation Guide*
- SCXI chassis
- SCXI-1180 feedthrough panel
- No. 1 and No. 2 Phillips-head screwdrivers
- $\frac{1}{4}$  in. and  $\frac{1}{8}$  in. flathead screwdrivers
- Long-nose pliers
- Wire cutter
- Wire insulation stripper

# Signal Connection

---

When connecting your signals to the SCXI-1302, follow the labeling on the SCXI-1302 for the appropriate module, as indicated in Figure 2.

To connect the signal to the terminal block, perform the following steps, referring to Figures 1 and 2 as necessary:

1. Unscrew the top cover screws and remove the cover.
2. Loosen the strain-relief screws and remove the strain-relief bar.
3. Run the signal wires through the strain-relief opening. You can add insulation or padding if necessary.
4. Prepare your signal wire by stripping the insulation no more than 7 mm.
5. Connect the wires to the screw terminals by inserting the stripped end of the wire fully into the terminal. No bare wire should extend past the screw terminal. Exposed wire increases the risk of shorting and causing a failure.
6. Tighten the screw terminal to a torque of 5–7 in.-lb.
7. Connect your shield or earth ground to the earth ground solder lug.
8. Reinstall the strain-relief bar and tighten the strain-relief screws.
9. Reinstall the top cover and tighten the top cover screws.
10. Connect the terminal block to the module front connector as explained in the *Installation* section later in this guide.

Figure 1 shows the SCXI-1302 terminal block parts locator diagram.

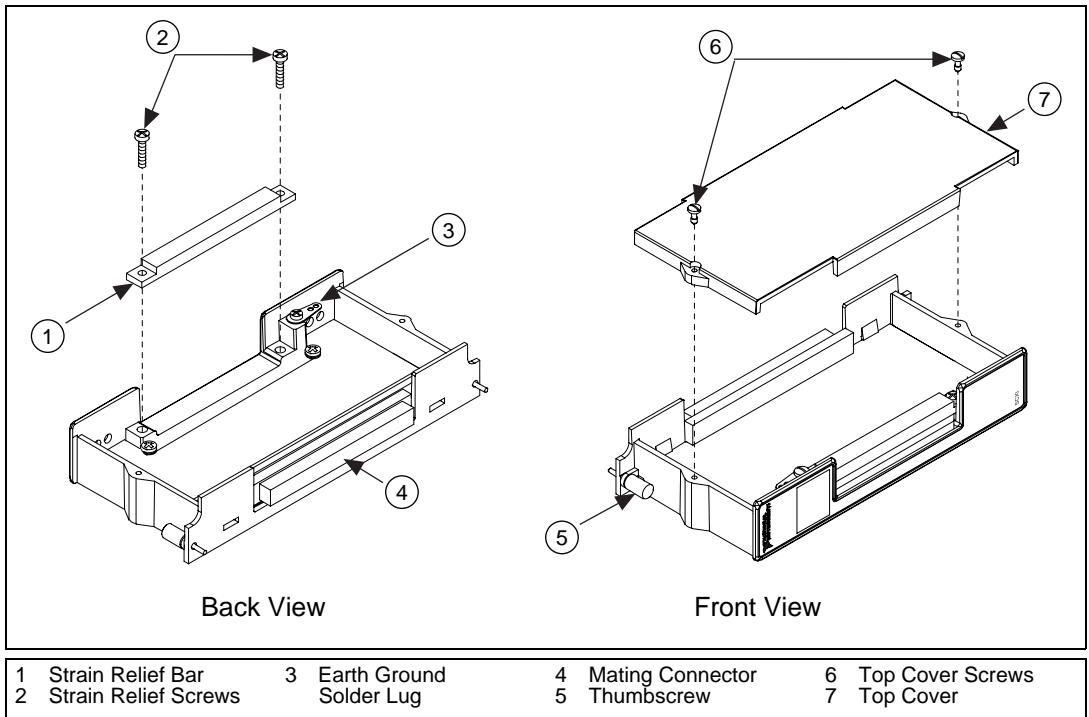


Figure 1. SCXI-1302 Parts Locator Diagram

Figure 2 shows the SCXI-1302 signal connections.

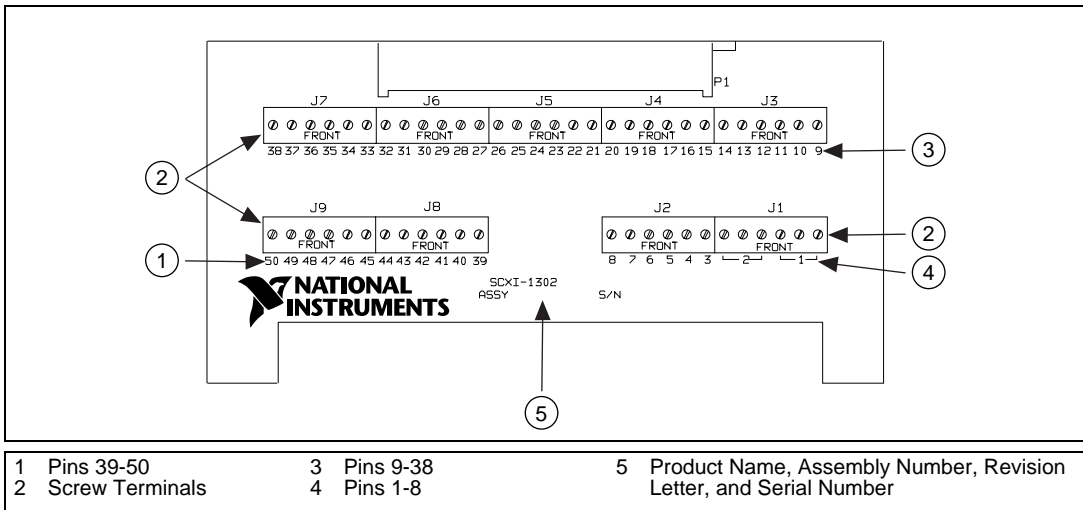


Figure 2. SCXI-1302 Signal Connections

## Installation

To connect the terminal block to the SCXI module front connector, perform the following steps:

1. Connect the module front connector to its mating connector on the terminal block.
2. Tighten the top and bottom thumbscrews on the back of the terminal block to hold it securely in place.

## Cleaning the Terminal Block

Clean the terminal block by brushing off light dust with a soft, nonmetallic brush. Remove other contaminants with deionized water and a stiff nonmetallic brush. The unit must be completely dry and free from contaminants before returning to service.

